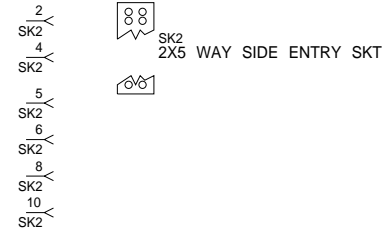
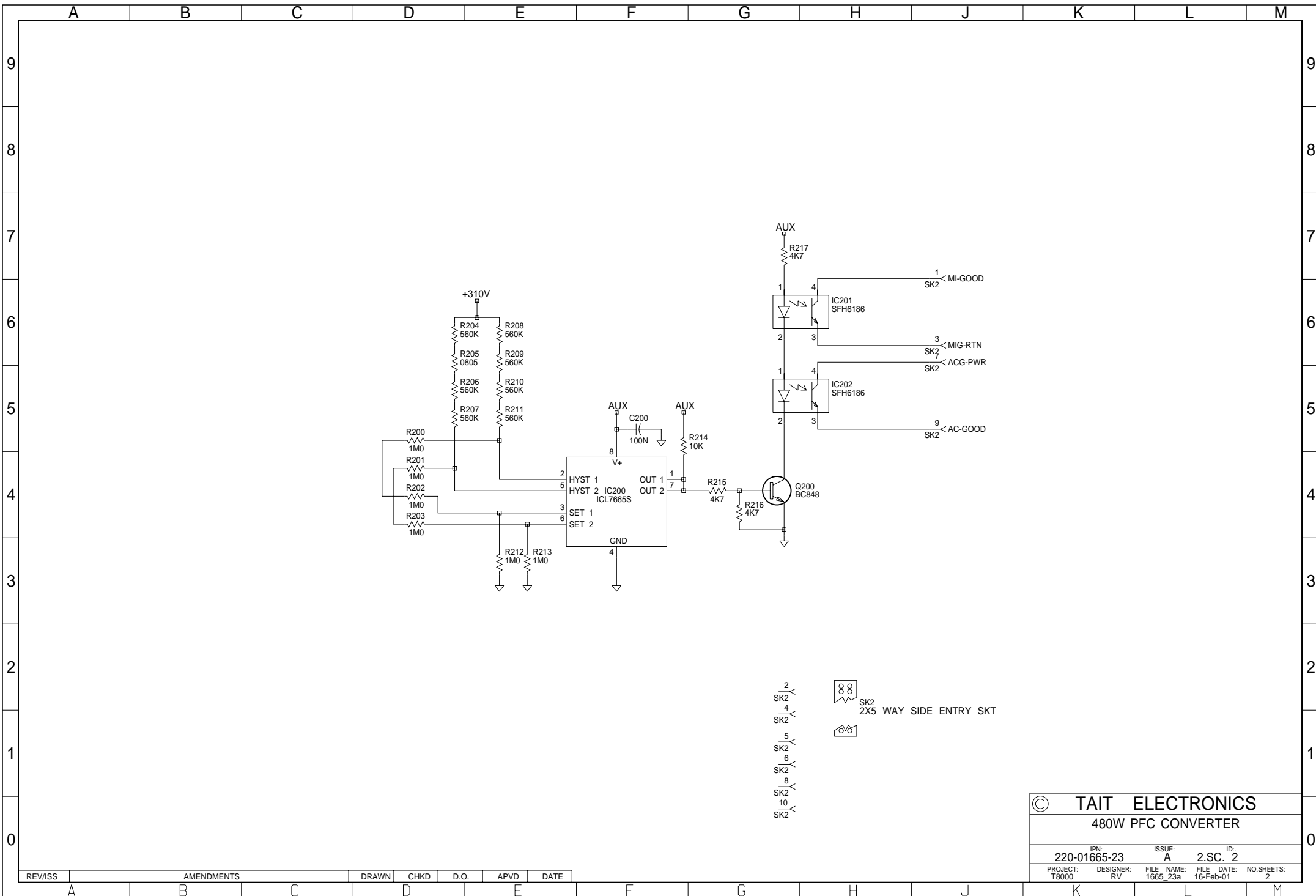


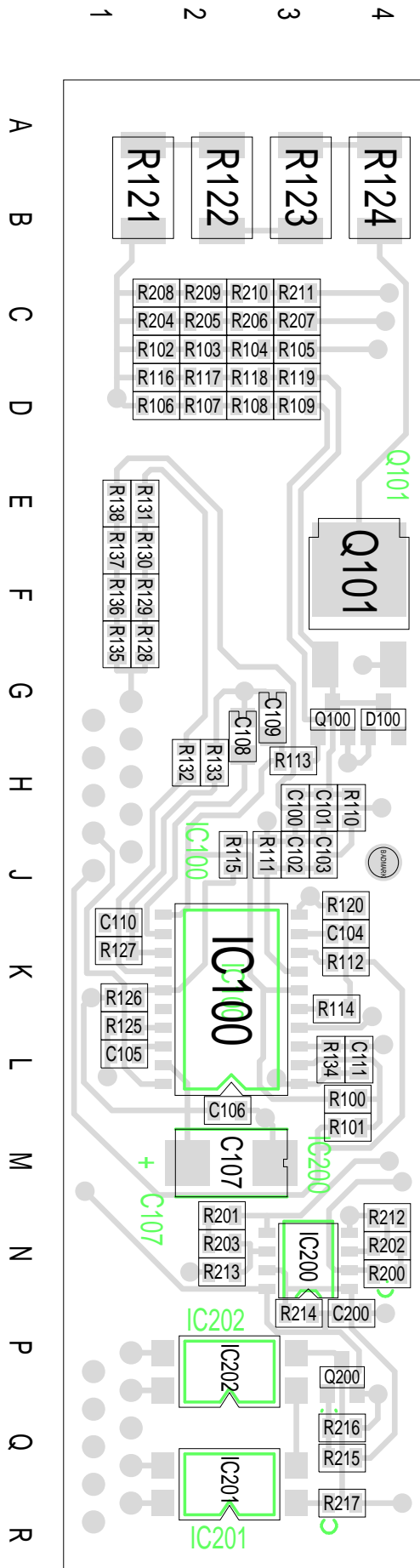
© TAIT ELECTRONICS			
480W PFC CONVERTER CONTROL STAGE			
IPN:	ISSUE:	ID:	
220-01665-23	A	2.SC. 1	
PROJECT:	DESIGNER:	FILE NAME:	FILE DATE:
T8000	RV	1665_23a	16-Feb-01
			NO.SHEETS:
			2

REV/ISS	AMENDMENTS	DRAWN	CHKD	D.O.	APVD	DATE
A	B	C	D	E	F	G



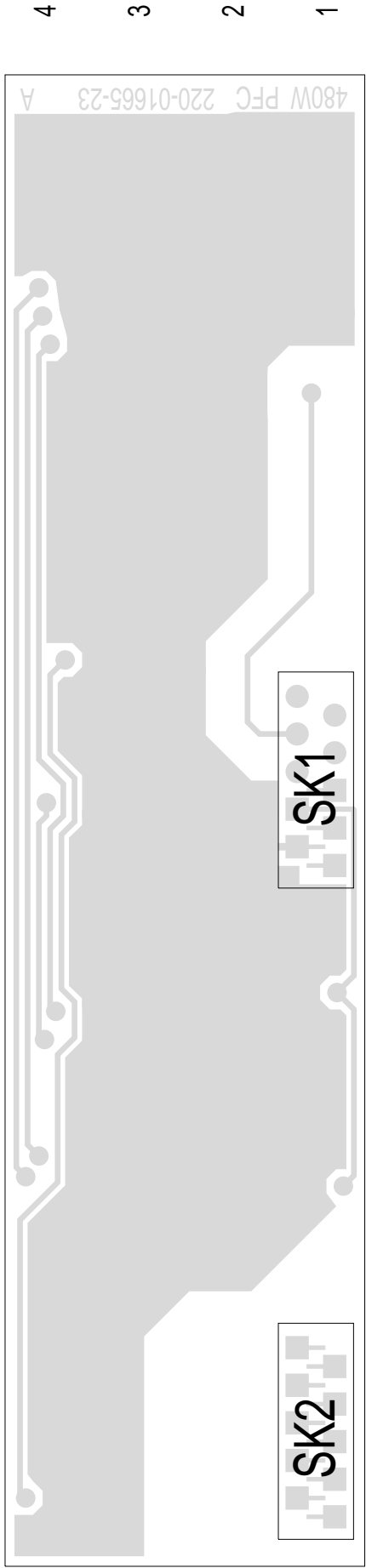
© TAIT ELECTRONICS			
480W PFC CONVERTER			
IPN:	ISSUE:	ID:	
220-01665-23	A	2.SC. 2	
PROJECT:	DESIGNER:	FILE NAME:	FILE DATE:
T8000	RV	1665_23a	16-Feb-01
			NO.SHEETS:
			2

REV/ISS	AMENDMENTS	DRAWN	CHKD	D.O.	APVD	DATE



TAIT ELECTRONICS IPN: 220-01665-23 ISS: A ID: 1.TA DATE: 16 Feb 2001
480W PFC PCB LAYOUT - TOP SIDE

Scale: 2.3:1 ; Rotation: 270 degrees



480W PFC 220-01665-23 A

TAIT ELECTRONICS	IPN: 220-01665-23	ISS: A	ID: 2.BA	DATE: 16 Feb 2001
	480W PFC PCB LAYOUT - BOTTOM SIDE			

Scale:2.3:1 ; Rotation: 90 degrees